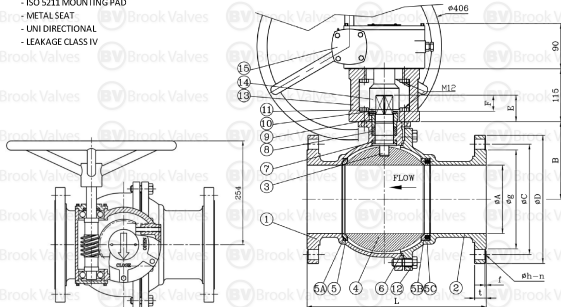
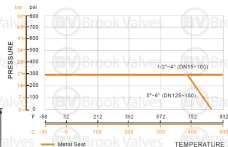


FEATURES:

- FACE TO FACE DIMENSION: ANSI B16.10
- FLANGED DIMENSION: ANSI B16.5
- WALL THICKNESS: ANSI B16.34
- FLANGED FINISH: MSS SP-6
- PRESSURE TEST & INSPECTION: API 598
- SELF ADJUSTING STEM PACKING
- BLOW-OUT PROOF STEM DESIGN
- ISO 5211 MOUNTING PAD
- METAL SEAT
- UNI DIRECTIONAL
- LEAKAGE CLASS IV


**PRESSURE DIFFERENTIAL/
TEMPERATURE**


NO.	PART NAME	MATERIAL
1	BODY	ASTMA351 Gr. CF8M
2	END CAP	ASTMA351 Gr. CF8M
3	STEM	SS316
4	BALL	CF8M + HARD CHROME
5	BALL SEAT (A)	SS316 + STELLITED
5A	BACK SEAT	GRAPHITE
5B	BALL SEAT (B)	SS316 + STELLITED
5C	SEAT SPRING	INCONEL
6	GASKET	GRAPHITE
7	THRUST WASHER	CW12MW (C276)
8	STEM PACKING	GRAPHITE
9	GLAND	ASTMA351 Gr. CFB
10	STOPPER	SS304
11	STOP PLATE	SS304
12	HAX. BOLTS	SS304
13	BRACKET	DUCTILE
14	ADAPTOR	S45C
15	GEAR BOX	CAST IRON

SIZE	L	A	B	E	F	D	C	n	h	g	t	f
125	356	125	150	58	34	254	216	8	22	186	23.9	1.6
150	394	150	170	58	34	279	241.5	8	22	216	25.4	1.6
200	457	200	219	64	38	343	298.5	8	22	270	28.6	1.6

REV	A	BROOK VALVES
DATE	Oct-22	V2FM-150G METAL
SCALE	TO FIT	
316SS METAL SEATED BALL VALVE 2 PCE FB CLASS 150 GEAR OP		