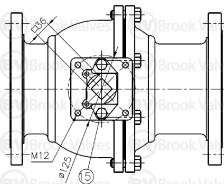
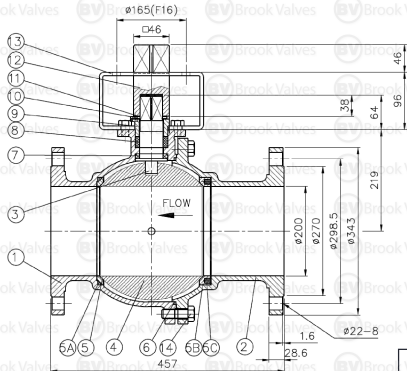


FEATURES:

- FACE TO FACE DIMENSION: ANSI B16.10
- BLOW-OUT PROOF STEM DESIGN
- FLANGED DIMENSION: ANSI B16.5
- ISO 5211 MOUNTING PAD
- WALL THICKNESS: ANS B16.34
- METAL SEAT
- FLANGED FINISH: MSS SP-6
- UNI DIRECTIONAL
- PRESSURE TEST & INSPECTION: API 598
- LEAKAGE CLASS IV
- SELF ADJUSTING STEM PACKING

425°C MAX TEMPERATURE

NO.	PART NAME	MATERIAL
1	BODY	ASTM A351 Gr. CF8M
2	END CAP	ASTM A351 Gr. CF8M
3	STEM	17-4PH
4	BALL	CF8M + HARD CHROME
5	BALL SEAT (A)	SS316 + STELLITED
5A	BACK SEAT	GRAPHITE
5B	BALL SEAT (B)	SS316 + STELLITED
5C	SEAT SPRING	INCONEL
6	GASKET	GRAPHITE
7	THRUST WASHER	GRAPHITE
8	STEM PACKING	GRAPHITE
9	GLAND	ASTM A351 Gr. CF8
10	STOPPER	SS304
11	STOP PLATE	SS304
12	ADAPTOR	SS410
13	BRACKET	SS304
14	HEX. BOLTS	SS304
15	GLAND BOLTS	SS304



REV	A	BROOK VALVES
DATE	Feb-23	200mm V2FM-150B - METAL
SCALE	TO FIT	
316SS BALL VALVE 2 PCE FB MM CLASS 150 BARE SHAFT		