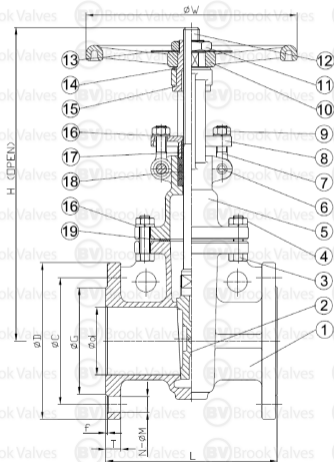


TEST PRESSURE Mpa		
API 598	SHELL	SEAT
HYDROSTATIC	3.1	2.2
AIR		0.6

NO.	PART NAME	MATERIAL
1	BODY	A351 CF8M
2	DISC	A351 CF8M
3	BOLT	SUS 304
4	NUT	SUS 304
5	CAP	A351 CF8M
6	HINGE PIN	SUS 304
7	EYE BOLT	SUS 304
8	GLAND	A351 CF8
9	EYE NUT	SUS 304
10	HAND WHEEL	FCO
11	NUT	BRONZE
12	STEM	SUS 316
13	NAME PLATE	SUS 304
14	GASKET	BRONZE
15	YOKE SLEEVE	BRONZE
16	SPRING WASHERS	SUS 304
17	STEM BUSHING	PTFE
18	GLAND PACKING	PTFE
19	GASKET	PTFE



SIZE	L	d	H	W	D	C	G	f	T	N-Øm
15	108	15	190	120	89	60.5	35	1.6	11.1	4 - ø16
20	117	20	195	120	98	70	43	1.6	11.1	4 - ø16
25	127	25	234	120	108	79.5	51	1.6	11.1	4 - ø16
32	140	32	297	200	117	89.5	64	1.6	12.7	4 - ø16
40	165	40	300	200	127	98.5	73	1.6	14.3	4 - ø16
50	178	50	331	200	152	120.5	92	1.6	15.9	4 - ø19
65	190	65	393	200	178	139.5	105	1.6	17.5	4 - ø19
80	203	80	470	250	190	152.5	127	1.6	19.1	4 - ø19
100	229	100	545	250	229	190.5	157	1.6	23.9	8 - ø19
125	254	125	640	300	254	216	186	1.6	23.9	8 - ø22
150	267	150	740	300	279	241.5	216	1.6	25.4	8 - ø22
200	292	200	910	350	343	298.5	270	1.6	28.6	8 - ø22
250	330	250	1097	400	406	362	324	1.6	30.2	12 - ø25
300	356	300	1285	400	483	432	381	1.6	31.8	12 - ø25

REV	D
DATE	Feb-20
SCALE	TO FIT

BROOK VALVES

VGA-150 316

316SS GATE VALVE OS&Y CLASS 150 RF