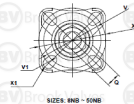
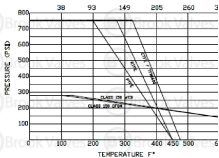
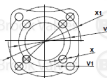


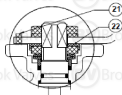
PRESSURE-TEMPERATURE RATING  
TEMPERATURE °C



SIZES: 8NB - 50NB



SIZES: 65NB - 100NB



SIZE: 65NB - 100NB

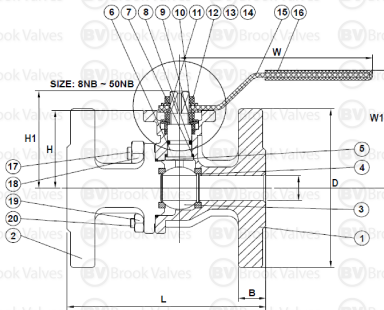
1/2" - 1"



1 1/4" - 4"



SIZE (d)	D	L	B	H	H1	W	W1	Q	V	V1	X	X1	TORQUE Nm	WEIGHT KG
15	95	140	14.3	46.5	56	110	89	9	42	7	-	-	5	3
20	117	152	15.9	51.5	61	110	94	9	42	6	50	7	8	4
25	124	165	17.5	57.5	67	136	95	11	42	6	50	7	10	6
32	134	178	19.1	71	80.5	185	112	9	30	6	50	7	15	7.5
40	156	190	20.7	76.5	92	203	110.7	14	50	7	70	9	20	9
50	190	216	22.3	83.5	99	203	117.7	14	50	7	70	9	30	12
65	190	241	25.4	118.5	137	277.5	155.5	17	70	9	102	11	36	20
80	210	283	28.6	129.5	148	277.5	166.5	17	70	9	102	11	60	28
100	254	305	31.6	145	163.5	377.5	182	17	70	9	102	11	95	43



NO	PART NAME	MATERIAL
1	BODY	ASTM A351 CF8M
2	CAP	ASTM A351 CF8M
3	BALL	ASTM A351 CF8M
4	BALL SEAT	TFM1600
5	JOINT GASKET	TFM1600
6	STEM	AISI 316
7	THRUST WASHER	TFM1600
8	O-RING	VITON
9	STEM PACKING	TFM1600
10	STEM RING	AISI 304
11	BELLEVILLE WASHER	AISI 304
12	STEM NUT	AISI 304
13	STOPPER	AISI 304
14	SPRING WASHER	AISI 304
15	HANDLE	AISI 304
16	PLASTIC COVER	PLASTIC
17	NUT * 1	AISI 304
18	STUD BOLT * 1	AISI 304
19	NUT * 2	AISI 304
20	STUD BOLT * 2	AISI 304
21	STOPPER PIN	AISI 304
22	LOCK WASHER	AISI 304

REV	B	BROOK VALVES V2FH-300 316SS FULL BORE BALL VALVE CLASS 300
DATE	Oct-20	
SCALE	TO FIT	