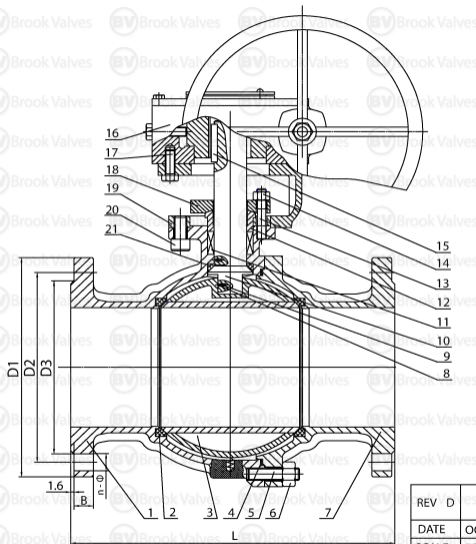


## FIRESAFE API 607

### TECHNICAL REQUIREMENTS

1. DESIGN AND MANUFACTURE PER ASME B16.34
2. VALVE INSPECTION AND TEST PER API 598
3. FACE TO FACE DIMENSION PER ASME B16.10
4. FLANGE CONNECTION DIMENSION PER ASME B16.5



NO.	PARTS	MATERIAL
1	LEFT BODY	ASTM A216 WCB
2	BALL SEAT	R-PTFE
3	BALL	SS316
4	GASKET	SS + FLEXIBLE GRAPHITE
5	NUT	ASTM A194 2H
6	BOLT	ASTM A193 B7
7	RIGHT BODY	ASTM A216 WCB
8	ANTISTATIC BALL	SS316
9	SMALL SPRING	ASTM A182 F304
10	STEM	SS316
11	PACKING	GRAPHITE
12	GLAND BUSHING	ASTM A276 T410
13	BOLT	ASTM A193 B7
14	NUT	ASTM A194 2H
15	KEY	1045
16	MANUAL OPERATOR	CAST IRON
17	SCREW	1035
18	PACKING GLAND	ASTM A216 WCB
19	YOKE	ASTM A216 WCB
20	SCREW	1035
21	THRUST WASHER	R-PTFE

SIZE	D1	D2	D3	B	n-F	L
150	279	241.5	216	26	8-22	394
200	343	298.5	270	29	8-22	457
250	406	362	324	31	12-25	533

REV	D	BROOK VALVES	
DATE	OCT 2016	BL150G	
SCALE	TO FIT	CS FIRESAFE BALL VALVE CLASS 150 GEAR OP	