

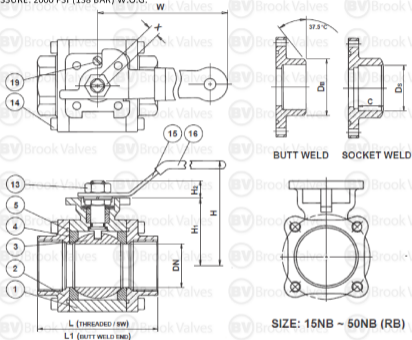
FIRESAFE API 607

C/W ISO 5211 MOUNTING PAD

DIN 3202-M3 (SCREWED ENDS / SOCKET WELD ENDS)

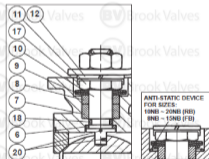
DIN 3202-S13 (BUTT WELD ENDS)

PRESSURE: 2000 PSI (138 BAR) W.O.G.



SIZE: 15NB ~ 50NB (RB)

NO.	PART NAME	MATERIAL
1	BODY	ASTM A351 CF8M
2	END CAP	ASTM A351 CF8M
3	BALL	ASTM A351 CF8M
4	SEAT	RPTFE
5	GASKET	GRAPHITE
6	THRUST WASHER	GRAPHITE
7	STEM PACKING	GRAPHITE
8	GLAND	AISI 304
9	BELLEVILLE WASHER	AISI 6150
10	STEM	ASTM A276 316
11	PACKING NUT	AISI 304
12	HANDLE WASHER	AISI 304
13	HANDLE NUT	AISI 304
14	BOLT	AISI 304 GR B8
15	HANDLE	AISI 304
16	HANDLE COVER	PVC
17	LOCK SADDLE	AISI 304
18	O-RING	VITON
19	STOP BOLT	AISI 304
20	ANTI STATIC DEVICE	AISI 304



SIZE	L	DN	H	H1	H2	W	X	DB	DS	C	ISO 5211	TORQUE (Nm)
15	75	11	70	42	9	140	9	21.7	21.8	13	F04 - F05	6.5
20	80	14	90	50	11	180	11	27.2	27.2	15	F04 - F05	10.5
25	90	20.5	100	60	11	180	11	33.9	33.9	15	F07	13
32	110	25	114	72	11	215	14	42.7	42.7	15	F07	19.5
40	120	31.5	118	76	17.5	215	14	48.8	48.8	16	F07	26
50	140	37	135	93	17.5	215	14	61.2	61.2	17	F07	39

REV	F
DATE	Jan-20
SCALE	TO FIT

BROOK VALVES
V3FSRB

3-PCE BALL VALVE 316SS RB API 607 FIRESAFE